

## FSWP

### FIREBREAK SASH SHUTTER WITH: CLOSING FOR GRAVITY: Code STFRT

CERTIFIED WITH NORM EN1366-2 EN13501-3 CSI1643FR REI120-RE120

#### IMPORTANT CHARACTERISTIC FOR THE CHOICE OF FIREBREAK SASH SHUTTER

The particular merit of this type of shutter is to allow the passage in the complete section of the piping which is sets, being the diaphragm of closing in open position out of the section of the piping. This main point permits to the diaphragm is to be always entire in the time.

Every shutter is equipped with certificate of conformity and instructions of use.

The inferior side is openable to allow the emission of probable materials that where deposited during the job.

**Application:** in walls Only installation with fittine in depression

#### Assembly system:

Mod: STFRT diaphragm high only in vertical position (horizontal piping)

#### Building material

In galvanized steel until Ø 750 body thickness 30/10, pipe unions 20/10, from Ø 800 body thickness 40/10, pipe unions 30/10

Fuse:72°, fixed on fuse carrier extractable

Lever rearmament diaphragm in steel

Electric micro switch or on off magnetic switch on request

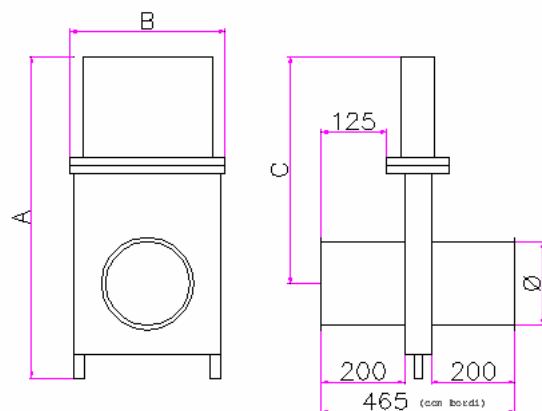
#### METHOD OF OPERATING

STFRT: with fuse safety to attainment of temperature72°C



#### TECHNICAL DATA

Ø mm	A	B	C	Kg.
Ø 200	765	350	540	24
Ø 250	865	400	615	30
Ø 300	965	450	690	38
Ø 350	1065	500	765	44
Ø 400	1165	550	840	50
Ø 450	1265	600	915	60
Ø 500	1365	650	990	68
Ø 550	1465	700	1065	80
Ø 600	1565	750	1140	90
Ø 650	1665	800	1215	102
Ø 700	1765	850	1290	112
Ø 750	1865	900	1365	140



	Ø200 ÷ Ø480	Ø500 ÷ Ø750
Closing time "seconds"	0,20"	0,30"
Air hose mm	Ø8x2000	Ø10x2000