

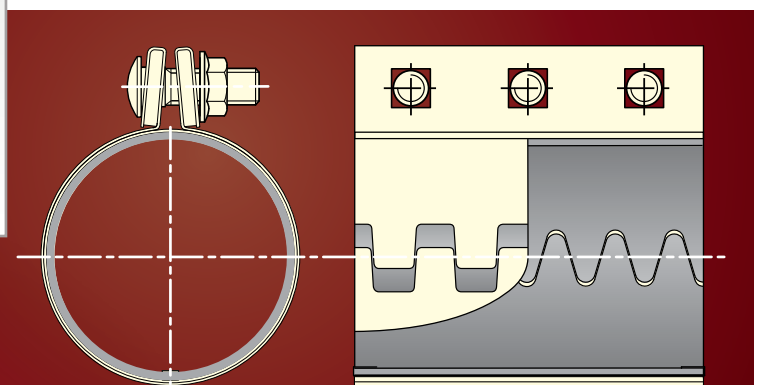
PICO-L Ø102-203



PICO-L coupling is used for connection of details with straight edges. Outside and inside skin in galvanised steel and conductivity strip in stainless steel. White NBR gasket FDA -30°C/+110°C. Zinc plated bolts.

Length: 150 mm.

L	100-150-200 mm
Ø	38.1 <> 219.1 mm
Boulons Bolts	M12 < 88,9 M16 ≥ 88,9
Serrage Tightening	M12: 60 N.m M16: 120 N.m



DESCRIPTIF STANDARD

- Enveloppe extérieure acier galvanisé
- Enveloppe intérieure acier galvanisé
- Joint NBR blanc FDA -30°C/+110°C
- Boulons zingués
- Lamelle de conductivité inox 304 L

SPECIFICATION OF STANDARD COUPLING

- Outside skin in galvanised steel
- Inside skin in galvanised steel
- White NBR gasket FDA -30°C/+110°C
- Zinc plated bolts
- Stainless steel 304 L, conductivity strip

OPTIONS

- Version tout inox 304L
- Joint Nitrile SBR noir -30°C/+80°C
- Joint Silicone VMQ -65°C/+225°C
- Joint Viton FPM noir -20°C/+250°C
- Raccord pont (voir p. 9)
- Raccord pour diamètres différents (voir p. 9)
- Lamelle de conductivité cuivre CU A1
- Anneau protecteur conducteur inox 304L (voir p. 9)

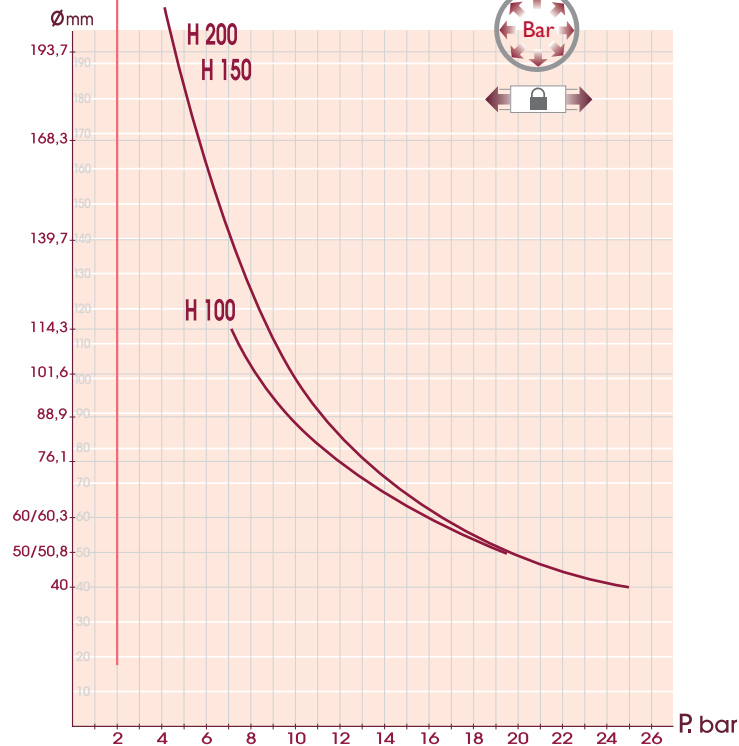
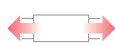
OPTIONS

- All stainless steel 304L version
- Black Nitrile SBR gasket -30°C/+80°C
- Silicone VMQ gasket -65°C/+225°C
- Viton FPM gasket -20°C/+250°C
- Coupling with clamp and side bars (see p. 9)
- Coupling for tubes with different diameters (see p. 9)
- Conductivity strip in copper CU A1
- Conductive protection ring in stainless steel 304L (see p. 9)

PICO-L Ø102-203

COURBES PRESSION MAXIMUM EURAC H100, H150 ET H200 MAXIMUM PRESSURE CURVES FOR EURAC H100, H150 AND H200

Pression maximum
de service tuyauterie libre
Maximum working pressure
with free-hanging pipes



Ø	L100	L150	L200
38,1			
40			
45			
48,3			
50/50,8			
54			
55			
60/60,3			
63,5			
65			
70			
75			
76,1			
80			
82			
84			
85			
88,9			
90			
95			
100			
101,6			
104			
105			
108			
114,3			
125			
127			
129			
133			
139,7			
145			
152,4			
154			
155			
159			
168,3			
219,1			