

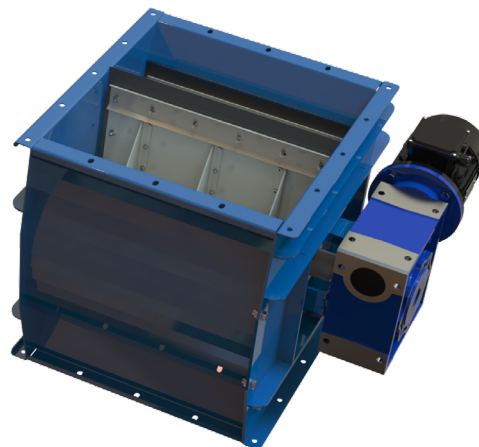


## ROTARY VALVE - RVLB

These rotary valves are designed to discharge waste or filtered material from a production process.

Equipped with a rotor and rubber blades, it effectively separates the material while ensuring airtightness.

Most often used under filters and cyclones, it can also be placed under silos and other storage equipment.



### Most common applications:

- wood industry,
- plastic industry,
- dust extraction installation,
- waste treatment industry.

### Temperature range:

-20°up to +80°C.

### This product meets the following harmonized standards:

2006/42/EC ; Machine directive;  
2014/35/EC ; Low voltage;  
directive  
2014/30/EC ; Electromagnetic  
compatibility directive.

### Construction:

- robust 3 mm steel sheet construction welded and bolted assembly;
- powder coated RAL 5010, 40-60 µm.;
- rotor in 2 mm steel with 8 neoprene blades.

| Model     | Volume* (m3/h) | Installed power (kW) | Rotor speed (rpm) | A (mm) | B (mm) | C (mm) | D (mm) | E (mm) | F (mm) | Weight (kg) |
|-----------|----------------|----------------------|-------------------|--------|--------|--------|--------|--------|--------|-------------|
| RVLB- 500 | 62             | 1,1                  | 18                | 504    | 580    | 270    | 540    | 200    | 545    | 179         |

\* Volume output at 50% rotor of filling

### Options:

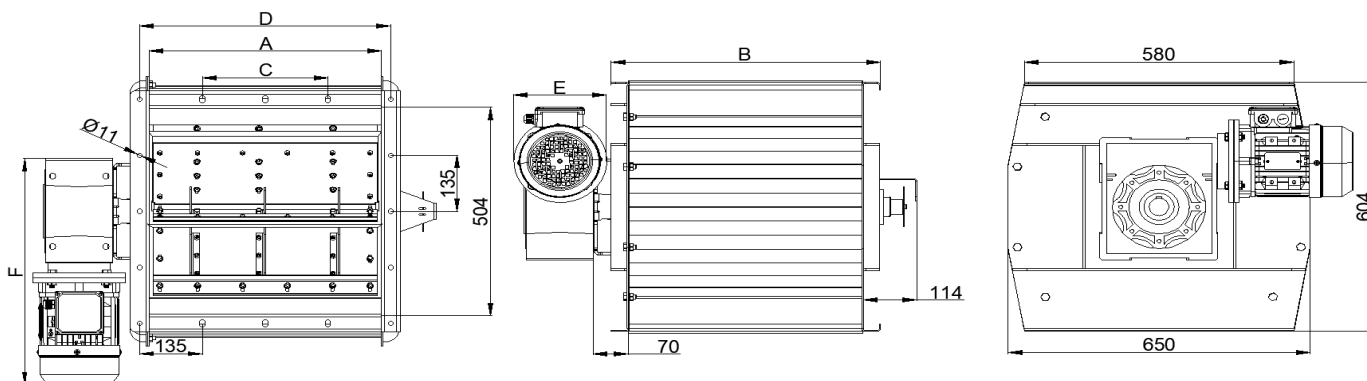
- Other RAL colors;
- Other rotation speeds;
- Other rubber blades.

### Spare parts:

- Replacement rubber blades;
- Replacement rotor;
- Replacement motor and gear.

### Accessories:

- Counter - flanges;
- Transition pieces;
- Suction pipes RORS.



## ROTARY VALVE - RVLB

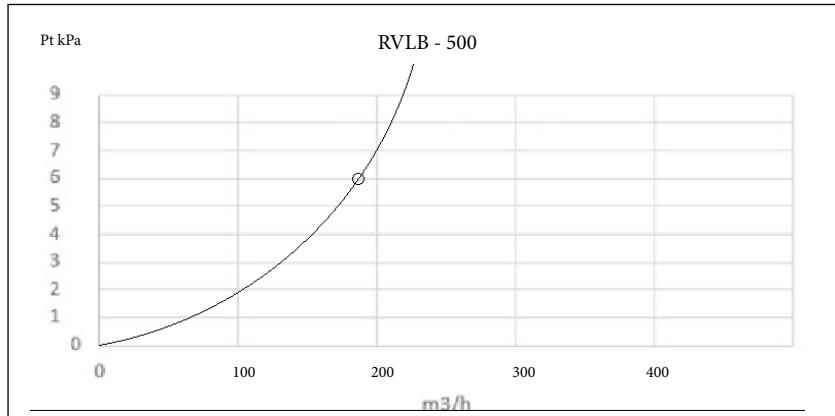
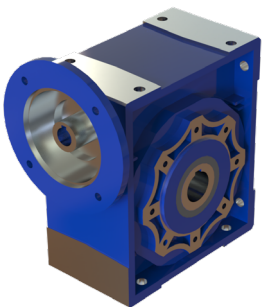


Diagram states loss through rotary valve depending on pressure conditions

### Geared motor details

The off-axis construction offers a reliable and robust construction for heavy duty applications. The right-angle geared motor assembly offers a more compact installation space compared to traditional in line geared motor conceptions. PTC of electrical motor has to be connected for safety purpose.



#### Gear details:

Model: ZMSF  
 Ratio: 1/80  
 Flange type: B5  
 Drive shaft: Ø42 mm  
 Oil type: Synthetic oil ISO VG 320

*Possible gear and motor assembly position:*



#### Motor details:

Model: IE3 - MSE90S-4  
 Size: 110  
 Power: 1,1 kW  
 Voltage: 230 / 400  
 Efficiency: IE3  
 Insulation class: IP 55 S1  
 Bearings: 6204 2RS C3  
 Flange type: B5

