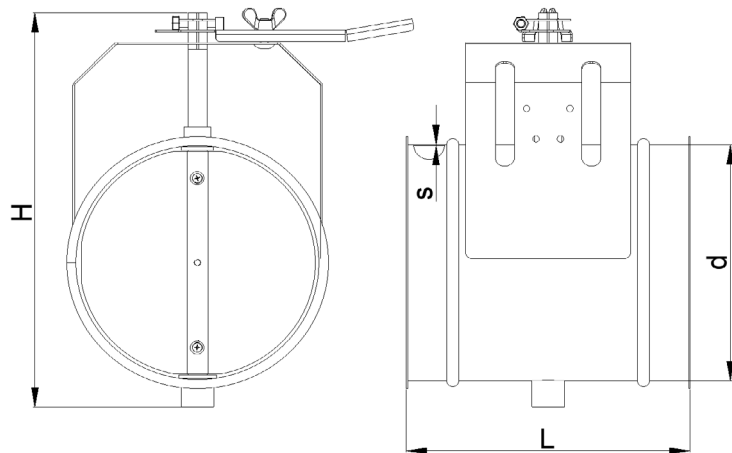
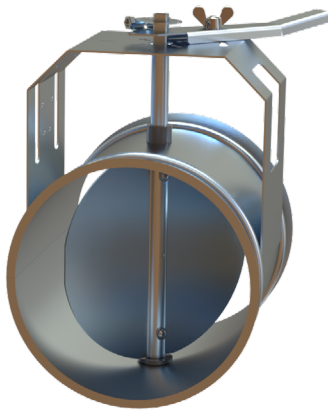




## GATV - Throttle valve manual

Galvanized steel - Pull ring edge

The throttle valves are stitch-welded and spot-welded construction used to control airflow in ducting with help of handle. Valves have a regulating handle with star-nut to secure the blade in a fixed position. Made from 0.9mm galvanized sheet, rolled, stitch welded with 6 mm edges for lock rings. Flanges for connection can be used as an option on request.



| Diameter | Thickness | Height | Length | Weight |
|----------|-----------|--------|--------|--------|
| Ød, mm   | s, mm     | H, mm  | L, mm  | kg     |
| 080      | 0,9       | 200    | 125    | 0,9    |
| 100      | 0,9       | 200    | 125    | 1,0    |
| 120      | 0,9       | 200    | 135    | 1,2    |
| 125      | 0,9       | 200    | 135    | 1,2    |
| 140      | 0,9       | 245    | 170    | 1,7    |
| 150      | 0,9       | 245    | 170    | 1,7    |
| 160      | 0,9       | 245    | 170    | 1,7    |
| 180      | 0,9       | 300    | 210    | 2,2    |
| 200      | 0,9       | 300    | 210    | 2,3    |
| 225      | 0,9       | 340    | 240    | 2,8    |
| 250      | 0,9       | 340    | 265    | 3,1    |
| 300      | 0,9       | 400    | 315    | 4,4    |
| 315      | 0,9       | 400    | 330    | 4,6    |
| 350      | 0,9       | 490    | 365    | 5,6    |
| 400      | 0,9       | 490    | 415    | 6,8    |
| 450      | 0,9       | 590    | 465    | 8,7    |
| 500      | 0,9       | 590    | 515    | 10,0   |