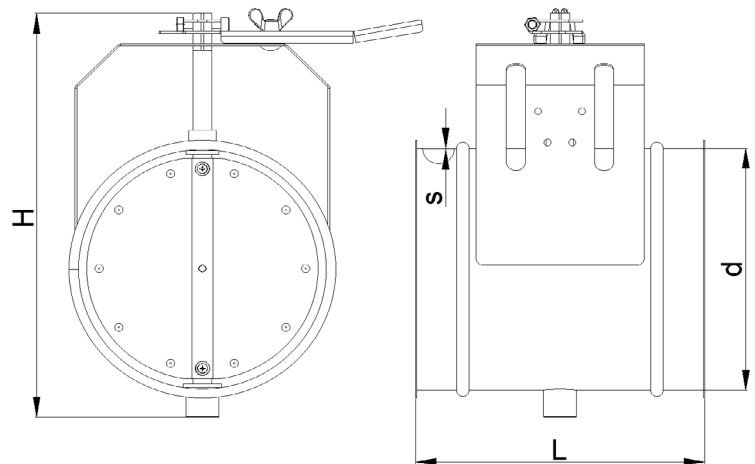
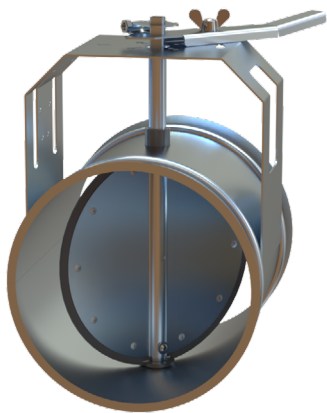




GATG - Throttle valve with gasket manual

Galvanized steel - Pull ring edge

The throttle valves are stitch-welded and spot-welded construction used to control airflow in ducting with help of handle. Valves have a regulating handle with star-nut to secure the blade in a fixed position. The gasket on blade ensures more tightness when closed. Relative tightness between 90 and 95% in closed position. Made from 0.9mm galvanized sheet, rolled, stitch welded with 6 mm edges for lock rings. Flanges for connection can be used as an option on request.



Diameter	Thickness	Height	Length	Weight
Ød, mm	s, mm	H, mm	L, mm	kg
080	0,9	200	125	1,0
100	0.9	200	125	1,1
120	0.9	200	135	1,2
125	0.9	200	135	1,3
140	0.9	245	170	1,7
150	0.9	245	170	1,7
160	0.9	245	170	1,7
180	0.9	300	210	2,2
200	0.9	300	210	2,5
225	0.9	340	240	2,9
250	0.9	340	265	3,2
300	0.9	400	315	4,5
315	0.9	400	330	4,8
350	0.9	490	365	5,7
400	0.9	490	415	7,0