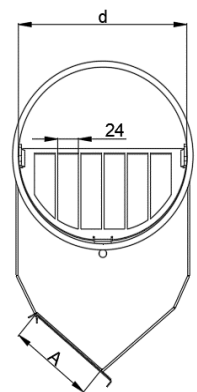
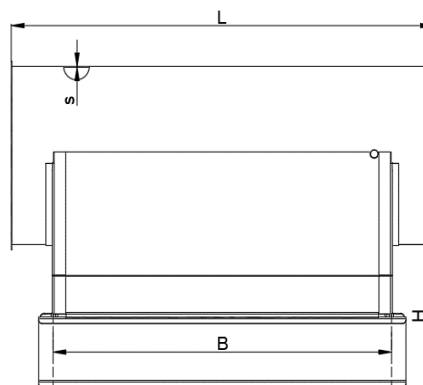
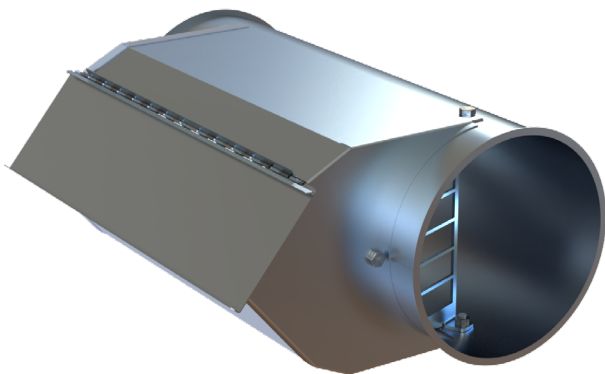




## GAKF - Block trap

Galvanized steel - Pull ring edge

These block traps are designed to stop big parts from going to the fan or the filter. They are mainly used in the wood processing industry and are installed in underpressure horizontal ducting lines with the discharge door towards the bottom. Made from 0,9mm galvanized sheet.



Diameter	Thickness	Dimension	Dimension	Height	Length	Weight
Ød, mm	s, mm	A, mm	B, mm	H, mm	L, mm	kg
160	0,9	72	400	160	500	5,33
180	0,9	87	400	160	500	5,76
200	0,9	102	400	160	500	6,43
250	0,9	117	400	217	500	10,90
300	0,9	117	400	300	500	11,40
350	0,9	117	400	300	500	12,67
400	0,9	117	400	320	500	14,74
450	0,9	138	400	312	500	16,75
500	0,9	168	400	290	500	18,62