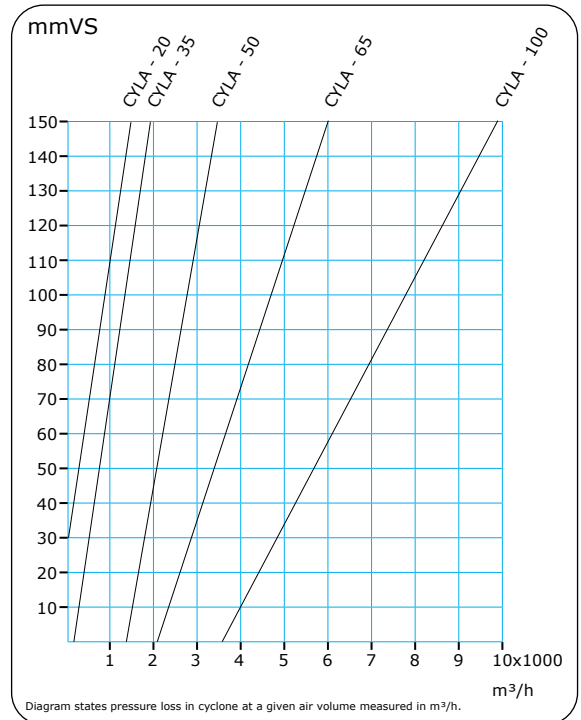
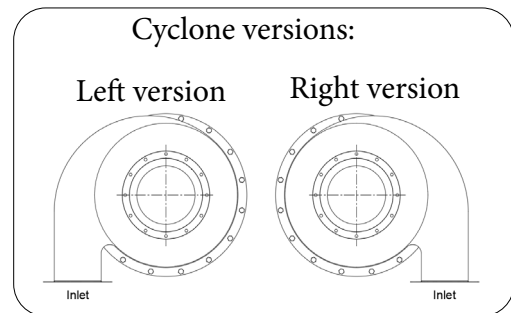
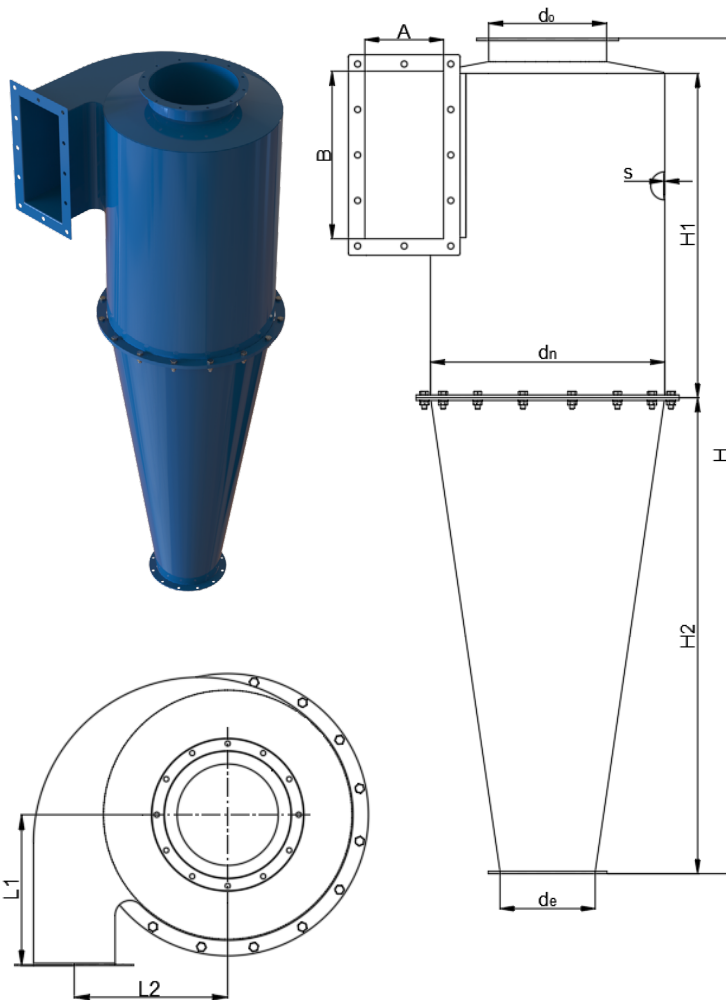




CYLA - Cyclone

Black steel

The CYLA cyclone is a high performance separator that ensures an effective separation of fine and heavy particles. Can be left- or right-oriented. Legs are non-standard, but available as option.



Type	Thickness	Inlet	Outlet	Dust outlet	Center diameter	Height	Dimension	Dimension	Dimension	Dimension	Weight
	s, mm	AxB, mm	do, mm	de, mm	dn, mm	H, mm	H1, mm	H2, mm	L1, mm	L2, mm	kg
CYLA-020	2	100x230	225	160	400	1465	570	820	240	240	42
CYLA-035	2	125x285	250	200	500	1790	695	1020	300	297	55
CYLA-050	2	160x350	250	200	500	1790	695	1020	300	308	61
CYLA-065	2	200x445	400	300	700	2500	995	1405	420	419	115
CYLA-100	2	300x560	550	400	1000	3750	1702	2050	600	615	245